



PRISMIERE™ SHOWERHEAD

These Niagara Conservation Prismiere™ Showerheads are a step beyond “low-flow,” ensuring 40% less water use than traditional low-flow showerheads currently on the market. The Prismiere Showerhead conserves water and saves money while enhancing pressure, performance, appearance and luxury!

THE FEATURES

- Non-aerating spray means less temperature loss with maximum energy savings
- Installs easily, by hand and without tools
- Metal coupler nut
- Corrosion resistant high-impact ABS thermoplastic body
- Adjustable settings from needle spray to course
- Adjustable Angle
- Pressure compensating technology provides consistent output of water regardless of pressure
- 10 year warranty***

CERTIFICATION & PERFORMANCE REQUIREMENTS

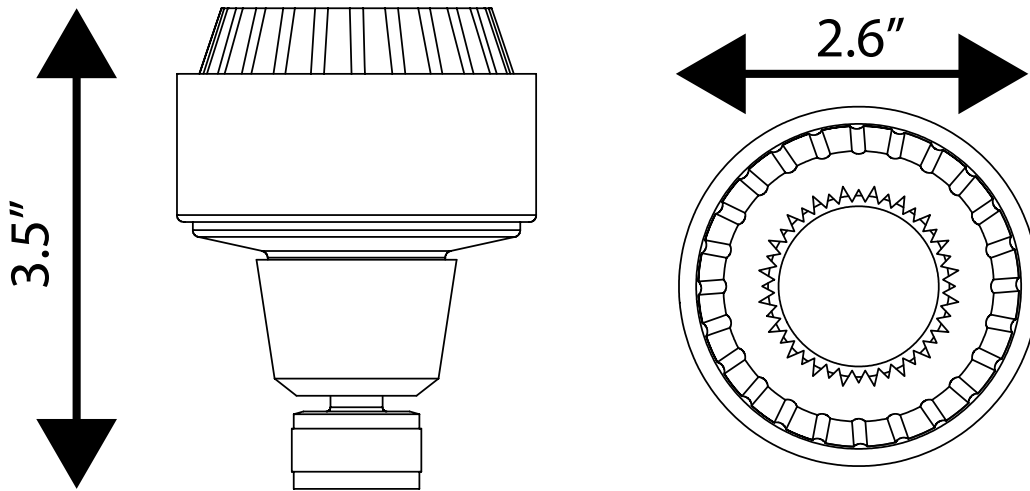
- ASME A112.18.1 / CSA B125.1; ANSI/NSF 61

MODEL #	FINISH	FLOW RATE	WATERSENSE	CASE QTY.
N2815	White/Clear	1.5 GPM	No	50
N2820	White/Clear	2.0 GPM	No	50
N2825TW	White/Clear	2.5 GPM	No	50

THE POTENTIAL ANNUAL SAVINGS*

	FLOW RATE	WATER	ELECTRIC HEATING	GAS HEATING
DOLLAR SAVINGS	1.5 GPM	\$73	\$129	\$72
UTILITY SAVINGS	1.5 GPM	8,760 gallons	1,138 kWh	63 therms
DOLLAR SAVINGS	2.0 GPM	\$37	\$72	\$37
UTILITY SAVINGS	2.0 GPM	4,380 gallons	596 kWh	32 therms

THE DIMENSIONS**



*Factors in calculating savings potential:

- 3-person households each using a shower 9 minutes per day, 365 days per year (AWWARF Residential Study)
- Comparing water use with these showerheads vs. a standard 2.5 GPM unit
- US city average water and sewer cost of \$8.3 per 1,000 gallons (study done by NUS)

**Dimensions are subject to change

***WARRANTY DETAILS

AM Conservation Group, Inc. guarantees to the original purchaser or recipient of a showerhead that it is free from defects in material and workmanship for a period of 10 years. AM Conservation Group, Inc. will at our choice replace any part of the showerhead which is in our opinion defective provided that the product has not been abused, misused, altered, or damaged after its purchase. This includes damage due to the use of tools or harsh chemicals. In the event a product has been discontinued, AM Conservation Group, Inc. will replace it with what we determine to be the closest product. AM Conservation Group, Inc. is not responsible for labor charges, installation, or other consequential cost. AM Conservation Group, Inc.'s responsibility shall not exceed the original cost of the product.

Consulting Group 2011)

- Average cost of electricity 0.113¢ per kWh (Energy Star Nov. 2013 Lightbulb Calculator — http://www.energystar.gov/?c=cfls.pr_cfls_savings)
- Average cost of gas \$1.137 per therm (Bureau of Labor Statistics April 2014)
- Calculations done by <http://www.fishnick.com/savewater/tools/watercalculator>