

CODE NUMBER

3325201

DESCRIPTION

Polished Chrome Finish, Fixture Connection Top Spud, Single Flush, Battery, Exposed Sensor Urinal/Water Closet Retrofit Flushometer.

DETAILS

- Finish: Polished Chrome (CP)
- Power Type: Battery ()
- Battery Life: 3 years
- Valve: Diaphragm/Piston
- Fixture Type: Urinal/Water Closet
- Fixture Connection: Top Spud

FEATURES

- "Low Battery" Flashing LED
- "User in View" Flashing LED
- Mechanical Manual Override Flush Handle
- Four (4) Size C Batteries included
- 72 Hour Sentinel Flush Mode
- ADA Compliant OPTIMA® SMOOTH® Battery Powered Infrared Sensor for automatic "Hands-free" operation

**COMPLIANCES & CERTIFICATIONS**

(ADA Compliant, cUPC Certified)

ELECTRICAL SPECIFICATIONS

- Arming Delay: 8 seconds
- Battery Life: 3 years
- Control Circuit: 6 VDC Input/72 Hour Sentinel Flush/Solid State
- Sensor Range: 26"-32" (660-813mm)

VALVE OPERATING PRESSURE (FLOWING)

15-80 PSI (103-552 kPa). Specific fixtures may require greater minimum flowing pressure - consult manufacturer requirements.

DOWNLOADS

- [EBV 200 Installation Instructions](#)
- [EBV-200-A Repair and Maintenance Guide](#)
- [Additional Downloads](#)

NOTES

All information contained within this document subject to change without notice.

Looking for other variations of the EBV200A product? [View the general spec sheet with all options.](#)

[Find a compatible urinal](#) for this flushometer.

[Find a compatible water closet](#) for this flushometer.

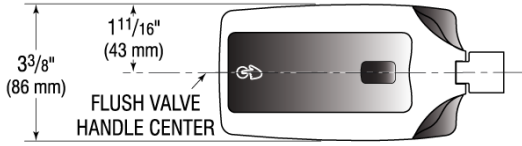
Battery life varies according to actual usage and restroom conditions.

Sloan 10500 Seymour Ave, Franklin Park, IL 60131

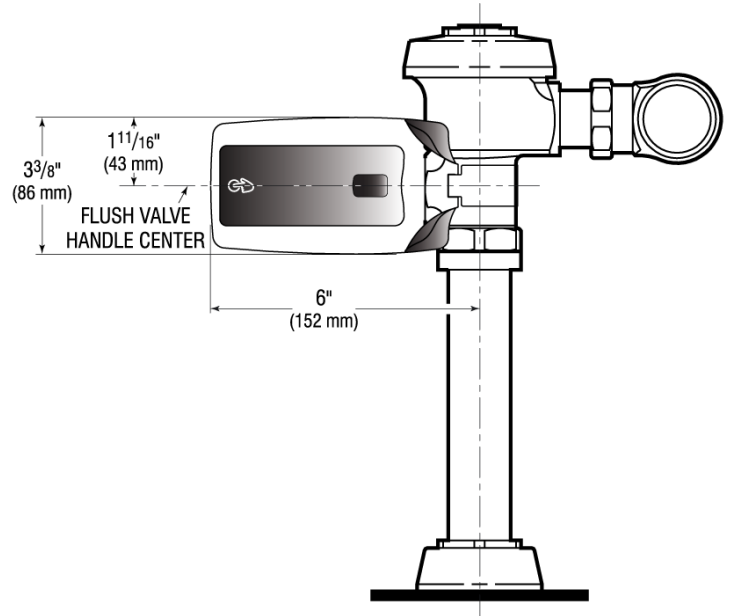
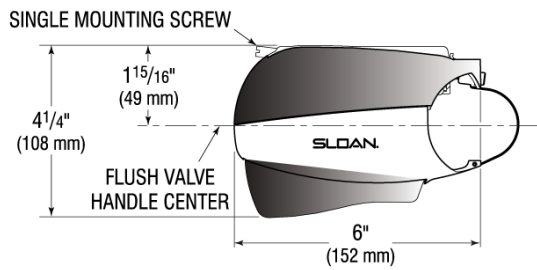
Phone: 800.982.5839 • Fax: 800.447.8329 • sloan.com

ROUGH-IN

FRONT VIEW



TOP VIEW



Sloan 10500 Seymour Ave, Franklin Park, IL 60131

Phone: 800.982.5839 • Fax: 800.447.8329 • sloan.com