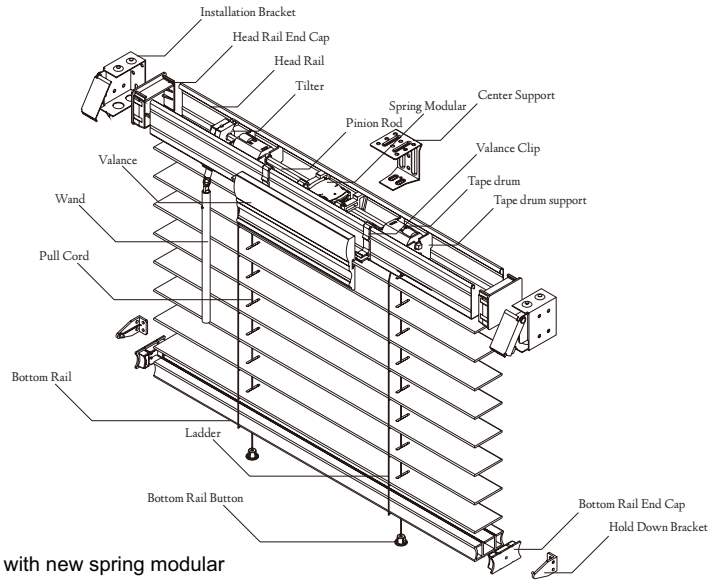


# 2" Faux Wood

- Heavy duty metal, high profile headrail
- Static resistant slats won't warp or crack
- 2" wide slats for designer look
- Wand control
- Durable metal hold down brackets
- Easy lift capability
- Available in white
- Non-lead formulas
- Child-safe cordless design
- Meets ANSI/WCMA A100.1-2018 standard



**2"FW** with new spring modular

Headrail	Headrail length = ordered width-0.625"									
	Tilter location:	For blind 19" & below & 25.5~29" : 1" from middle of tilter location to end; For blind 30"~32" : 3" from middle of tilter location to end; For blind 19" above (excluded 25.5~29") : 4" from middle of tilter location to end;								
	Ladder location:	For blind 19" & below & 25.5~29" : 3" from middle of ladder location to end; For blind 30"~32" : 5" from middle of ladder location to end; For blind 19" above (excluded 25.5~29") : 6" from middle of ladder location to end;								
	Steel Rod length:	For blind 19" and below & 25.5~29" : ordered width-2.5" ; For blind 19" above (excluded 25.5~32") : width-8.5" ; For blind 30~32" : ordered width-6.5" ;								
	Width	Drop	Ladder# /54 mm x 44.5mm	Cord#	Tilter	Tape drum support	Tape drum	Steel Rod	Mechanism	Retaining clip
			PCS	PCS	PCS	PCS	PCS	PCS	PCS	PCS
	16-25"	All drop	2	2	1	2	2	1	1	2
	25.5-29"	All drop	3	2	1	3	3	1	1	3
	30-33.5"	All drop	3	2	1	3	3	1	1	3
	34-36"	36-72"	3	2	1	3	3	1	1	3

Parts & Accessories	Part No.
Installation Brackets Alabaster	FCXBRACKETSETAL
Installation Brackets White	FCXBRACKETSETWH
Bottomrail Buttons Alabaster	FCXBUTTONAL
Bottomrail Buttons White	FCXBUTTONWH
Center Support	FCXCSUPP
Endcap Alabaster	FCXENDCAPAL
Endcap White	FCXENDCAPWH
Hold Down Brackets	FCXHOLDDOWN
Tilters	FCXTILTERLGCL
Wand Color Alabaster & White	FCXWAND15AL
	FCXWAND15WH
	FCXWAND19AL
	FCXWAND19WH
	FCXWAND25AL
	FCXWAND25WH
	FCXWAND29AL
	FCXWAND29WH
	FCXWAND60AL
	FCXWAND60WH
	FCXWAND72AL
	FCXWAND72WH
Wand Hook Clear	FCXWANDCLIPCL

3.25"Valance	Valance length = ordered width; cut straight, without valance return
--------------	--

Wand	Blind Width	16~19.5"	20~26.5"	27"~32.5"	33" & above
	Wand length (excluded hook & plug)	15"	19"	25"	29"

Hardware box	Blind Width	X	Drop	Hold down bracket	Valance clip	Installation bracket	Center support bracket	Screw	Screw
								3.5*18mm	4*31mm
	16-35.5"	X	All	2	2	2	0	4	6
	36-48"	X	All	2	2	2	1	4	8
	49-65.5"	X	All	2	2	2	2	4	10
	66-75"	X	All	2	3	2	3	4	12
	76-95"	X	All	2	4	2	4	4	14