



Dryer

Electric 8.0 Cu. Ft. Front Load Dryer

ELFE7337AW

Available Colors : White

Version : 07/21

Dryer

| | |
|--------------------------|---------------|
| Air Flow | 200 CFM |
| Drum Back Type | Painted Steel |
| Drum Material | Painted Steel |
| Dryness Level Selections | Yes |
| Lint Filter | Yes |
| Moisture Sensor | Yes |

Dryer Cycles

| | |
|----------------|-----|
| Cycle Count | 7 |
| Bulky | Yes |
| Delicates | Yes |
| Fast Dry | Yes |
| Heavy Duty | Yes |
| Normal | Yes |
| Timed Dry Time | Yes |
| Towels | Yes |

Dryer Options

| | |
|------------------|------------|
| Delay Start Time | 1-12 Hours |
| Dry Boost | Yes |
| Extended Tumble | Yes |
| Wrinkle Release | Yes |

Drying Temperatures

| | |
|---------|-----|
| Low | Yes |
| Normal | Yes |
| High | Yes |
| Eco Dry | Yes |

Dryness Level

| | |
|--------|-----|
| High | Yes |
| Normal | Yes |
| Low | Yes |
| Damp | Yes |

Controls

| | |
|--------------------------|-----|
| Cancel | Yes |
| Cycle Status Lights | Yes |
| Delay Start | Yes |
| Estimated Time Remaining | Yes |
| Control Lock | Yes |
| Pause Function | Yes |
| Power On/Off | Yes |
| Start | Yes |

Exterior

| | |
|-----------------|-----|
| Door Latch | Yes |
| Reversible Door | Yes |

Dimensions and Volume

| | |
|---------------------|-----------|
| Height | 38" |
| Width | 27" |
| Depth | 32" |
| Dryer Drum Capacity | 8 Cu. Ft. |

Electrical Specifications

| | |
|--------------------------|----------|
| Minimum Circuit Required | 30 Amps |
| Voltage Rating | 208/240v |

Energy Data

| | |
|-----------|----------|
| kWh/cycle | 2.19 kWh |
| kWh/year | 620 kWh |

Installation

| | |
|-------------------|-----|
| Optional Pedestal | Yes |
|-------------------|-----|

General Specifications

| | |
|----------------------|---------|
| Chime On / Chime Off | Yes |
| Leveling Legs | Yes |
| Product Weight | 126 lbs |
| Prop 65 Label | No |

High standards of quality at Electrolux Home Products, Inc. mean we are constantly working to improve our products. We reserve the right to change specifications or discontinue models without notice.

Electrolux Major Appliances, N.A.

USA • 10200 David Taylor Drive • Charlotte, NC 28262 • Charlotte, NC 28262 • 1-877-4electrolux (1-877-435-3287) • electroluxappliances.com

CANADA • 5855 Terry Fox Way • Mississauga, ON L5V 3E4 • 1-800-265-8352 • electroluxappliances.ca

Electric 8.0 Cu. Ft. Front Load Dryer

ELFE7337AW

Version : 07/21

| | |
|------------------|--------|
| Warranty - Labor | 1 Year |
|------------------|--------|

| | |
|------------------|--------|
| Warranty - Parts | 1 Year |
|------------------|--------|

Performance Certifications and Approvals

| | |
|-----------------------|-----|
| ENERGY STAR Certified | Yes |
|-----------------------|-----|

Safety Certifications and Approvals

| | |
|-----------|-----|
| UL Listed | Yes |
|-----------|-----|

High standards of quality at Electrolux Home Products, Inc. mean we are constantly working to improve our products. We reserve the right to change specifications or discontinue models without notice.

Electrolux Major Appliances, N.A.

USA • 10200 David Taylor Drive • Charlotte, NC 28262 • Charlotte, NC 28262 • 1-877-4electrolux (1-877-435-3287) • electroluxappliances.com

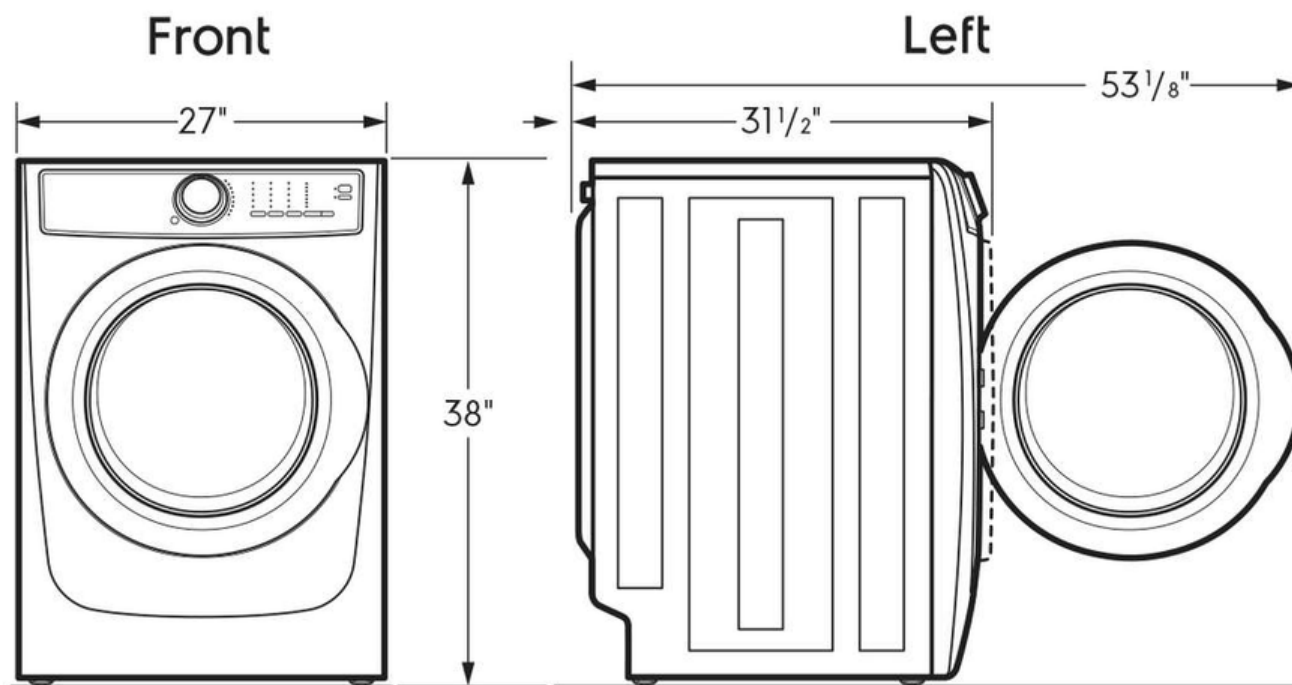
CANADA • 5855 Terry Fox Way • Mississauga, ON L5V 3E4 • 1-800-265-8352 • electroluxappliances.ca

Electrolux

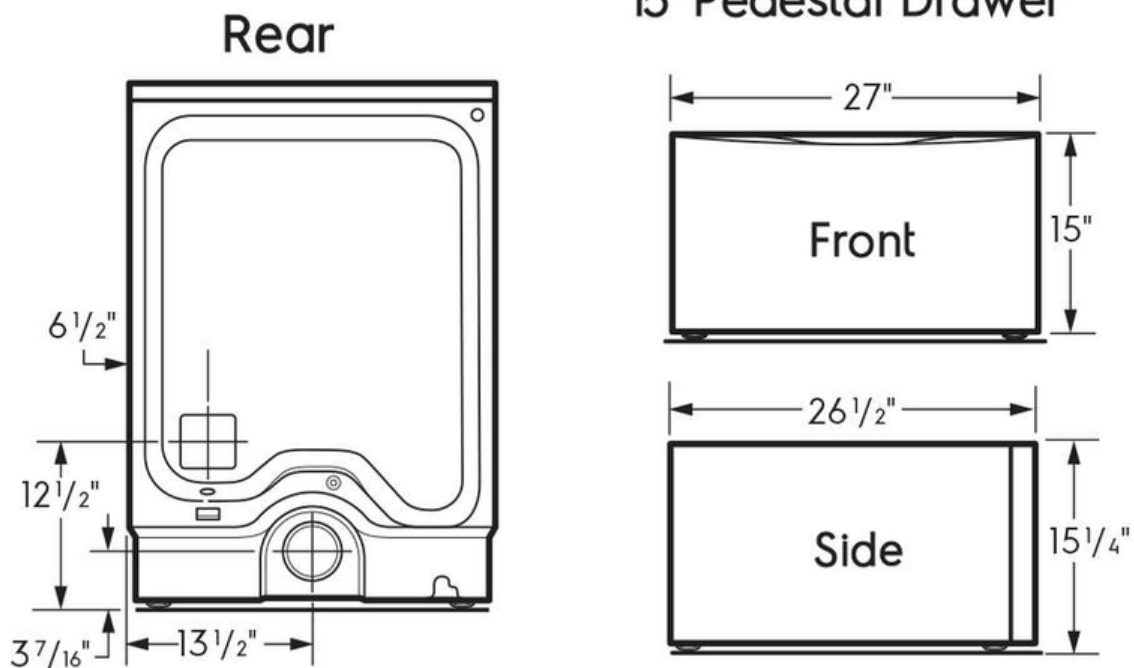
Electric 8.0 Cu. Ft. Front Load Dryer

ELFE7337AW

Version : 07/21



Optional 15" Pedestal Drawer



High standards of quality at Electrolux Home Products, Inc. mean we are constantly working to improve our products. We reserve the right to change specifications or discontinue models without notice.

Electrolux Major Appliances, N.A.

USA • 10200 David Taylor Drive • Charlotte, NC 28262 • Charlotte, NC 28262 • 1-877-4electrolux (1-877-435-3287) • electroluxappliances.com

CANADA • 5855 Terry Fox Way • Mississauga, ON L5V 3E4 • 1-800-265-8352 • electroluxappliances.ca